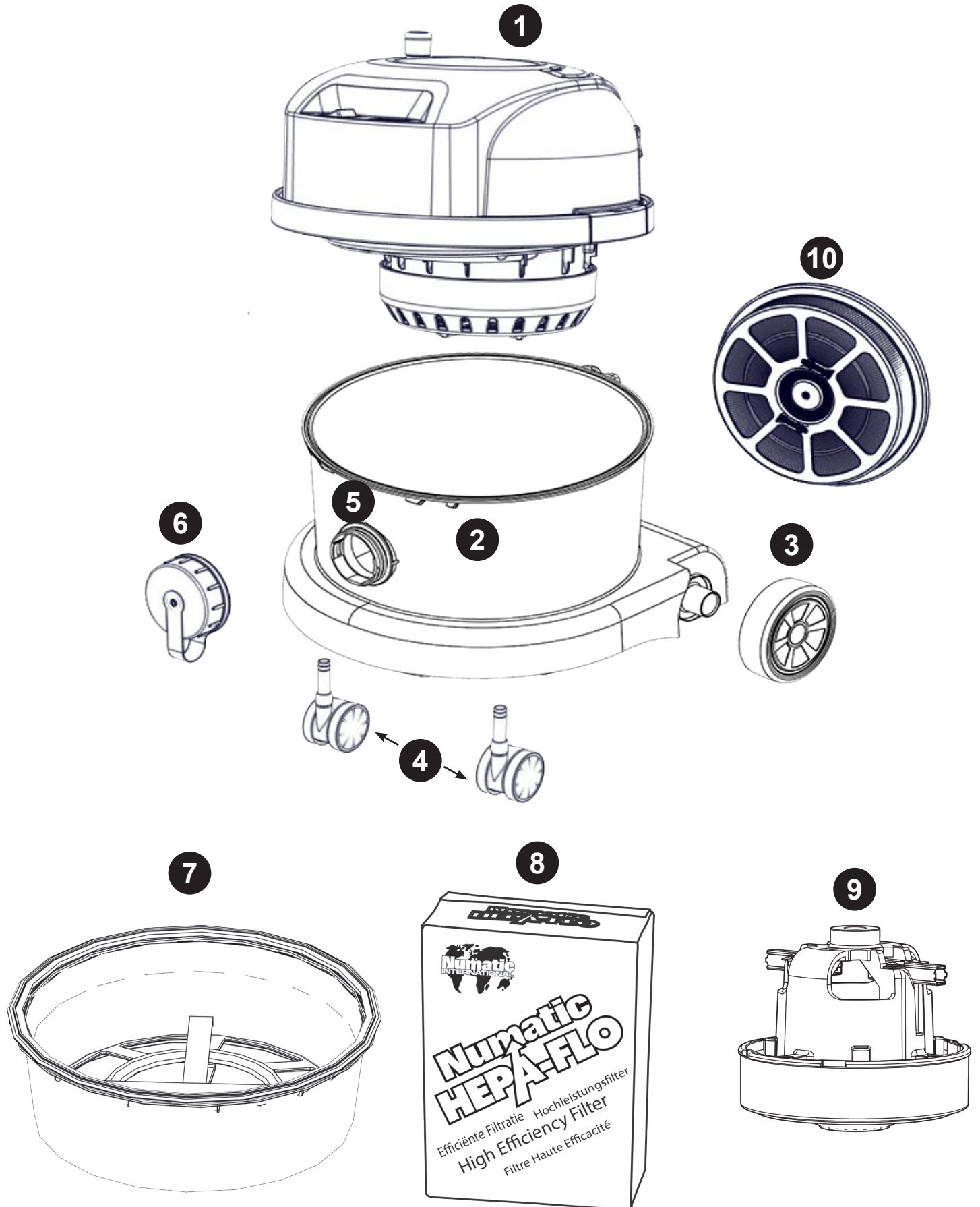


TRM240 Exploded Spares

ProCare VACUUM RANGE



Num	Description	Num
1	Reeler handle	227120
2	12 Inch 240 graphite drum with accessory with storage	903803
3	2 Shot Wheel	919351
4	50mm Twin wheel castor with PU tyre	204111
5	DRY 11 Inch diffuser neck	237119
6	TRM Blanking Cap assembly	919935
7	12" TriTex filter (Dry only use)	909559
8	Pack of 3 NVM-1CH HepaFlo bags	909291
	Box of 5 NVM-1CH HepaFlo bags	907076
	Box of 10 NVM-1CH HepaFlo bags	907075
9	230V Single stage TF motor (DLI 653T) TCO ALU	916398
10	H14 Hepa Filter	919710

Numatic International Limited (Head Office)
Chard, Somerset TA20 2GB, UNITED KINGDOM
Tel: 01460 68600 numatic.com

Numatic International GmbH
Fränkische Straße 15-19, 30455 Hannover,
DEUTSCHLAND Tel: +49 (0) 511 984 2160 numatic.de

Numatic International Denmark
Fränkische Straße 15-19, 30455 Hannover, DEUTSCHLAND
Tel: +45 (0) 316 40808 numatic-online.dk

Numatic International S.A.S
13/17 rue du Valengelier, EAE la Tuilerie, 77500 Chelles, FRANCE
Tel: +33 (0) 164 726 161 numatic.fr

Numatic International BV
Vennotsweg 15, 2404 CG, Alphen aan den Rijn, NEDERLAND
Tel: +31 (0) 172 467 999 numatic.nl

Numatic International Schweiz AG.
Sihlbruggstrasse 3A, 6340 Baar, SCHWEIZ
Tel: +41 (0) 41 768 0760 numatic.ch

Numatic International (PTY) Ltd.
Cnr. 16th & Pharmaceutical Road, Randjes Park,
Midrand 1685, SOUTH AFRICA
Tel: +27 (0) 861 686 284 numatic.co.za

Numatic International ULDA
Rua Francisco da Silva Duarte, n°79,
4475-269 Santa Maria de Avioso, Castêlo da Maia, PORTUGAL
Tel: +351 220 047 700 numatic.pt

Numatic International Spain, S.L.U.
Av. Baix Llobregat, 5-7, Oficina bajos 1 (Parc Negocis Mas Blau II)
08820 El Prat de Llobregat (Barcelona), SPAIN
Tel: +34 93 647 22 22 numatic.es

Numatic International Italy S.R.L
Via Luigi Galvani, 2, Z.I. Talponedo, 33080 Porcia (PN), ITALY
Tel: +39 (0) 434 046 211 numatic.it

Edco, Edgar Edmondson Pty Ltd
Head Office: PO Box 198, Marrickville, NSW 1475, AUSTRALIA
Delivery & Shipping Address
18 Garden St, Marrickville, NSW 2204, AUSTRALIA
Office Number: +61 (0)2 9557 4411, Fax Number: +61 (0)2 9519 9223,
Email: orders@edmondson.net.au ABN: 27 000 450 144

Proquip NZ Ltd
7a Peterkin Street, Taita, Lower Hutt, 5019
Tel: +64 4 566 7847, Fax: +64 4 576 0430
Web: www.proquipnz.co.nz